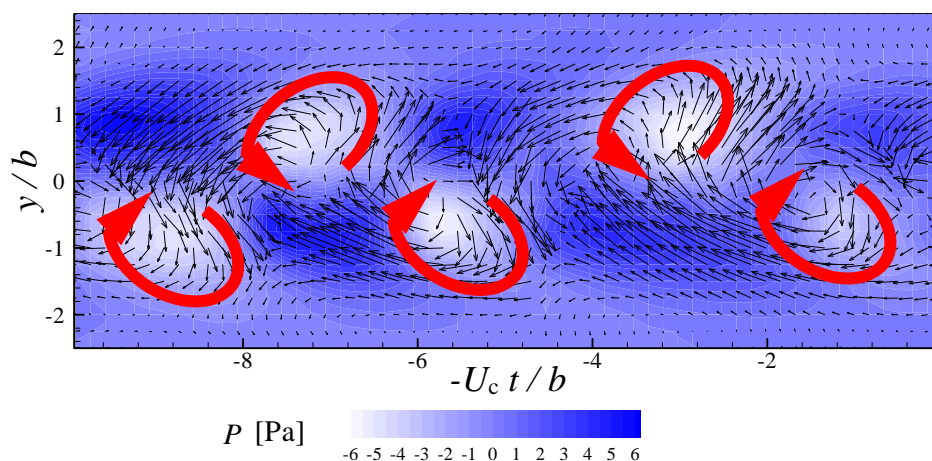
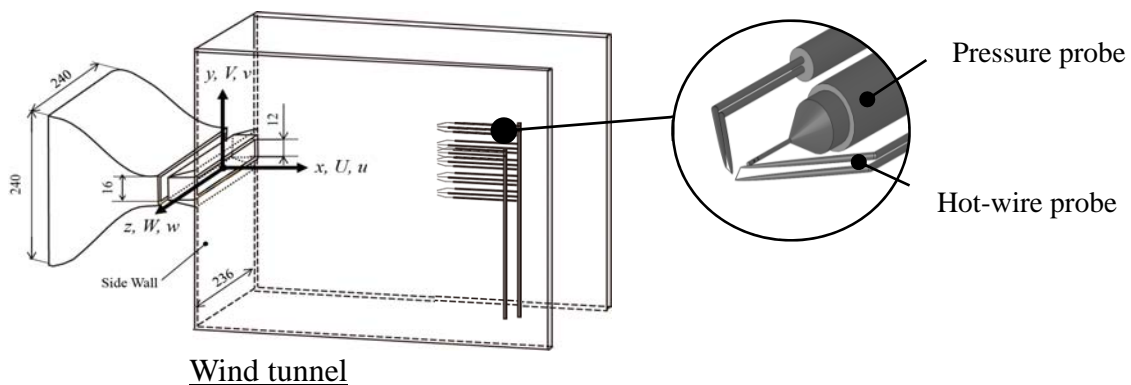


Momentum and heat transport in planer jet

Abstract

It is well known that there exit large coherent structures in turbulent planer jets. In this study, we clarify the contribution of the large coherent structures to transfer of momentum and heat in a turbulent planer jet. This study can lead to development of efficient air-conditioning equipment etc.. We are also making a new probe for simultaneous measurement of velocity, temperature and static pressure.

Simultaneous measurement of velocity and pressure in planar jet



Coherent structure in a planar jet

- Terashima et al., On the Velocity and Pressure Statistics during the Flapping Motion in a Planar Turbulent Jet , Int. J. Heat Fluid Flow (2015).
- Terashima et al., Experimental Verification of the Turbulence Models for the Pressure Diffusion Process in a Turbulent Plane Jet, Int. J. Mech. Sci. (2014).
- Terashima et al., Simultaneous Measurement of All Three Velocity Components and Pressure in a Plane Jet, Meas. Sci. Tech. (2014)
- 大西他, 速度・圧力多点同時計測結果へのPOD-LSE複合解析の適用による二次元噴流の乱れエネルギー輸送の評価, 機論(B) (2014).
- 大西他, 乱流中の速度三成分と変動圧力の同時計測, 機論(B) (2013).